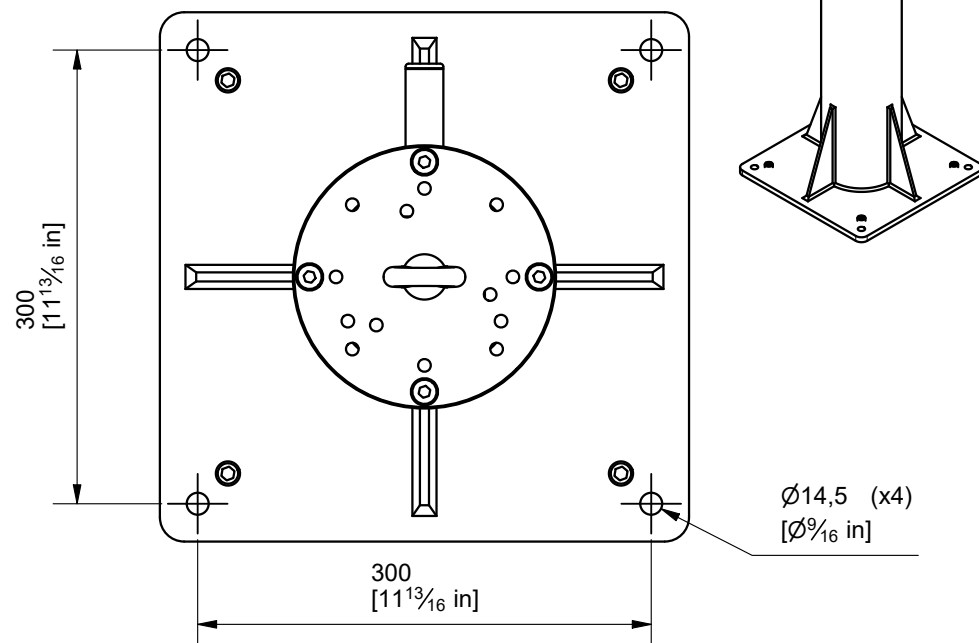
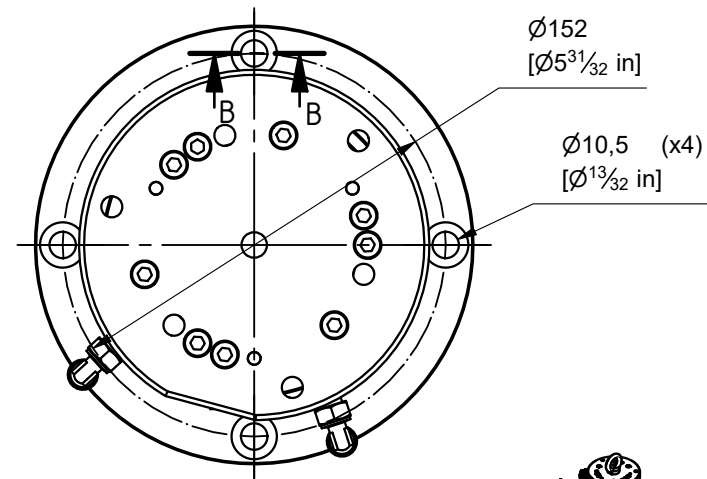
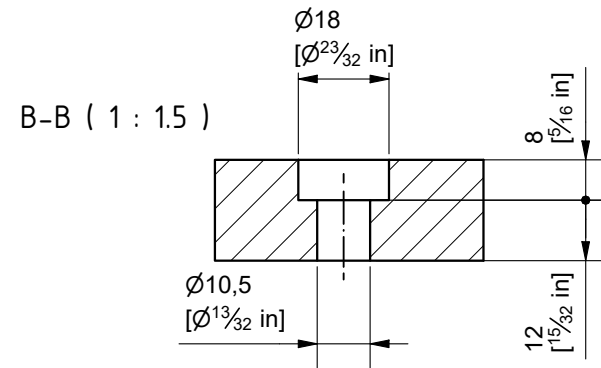


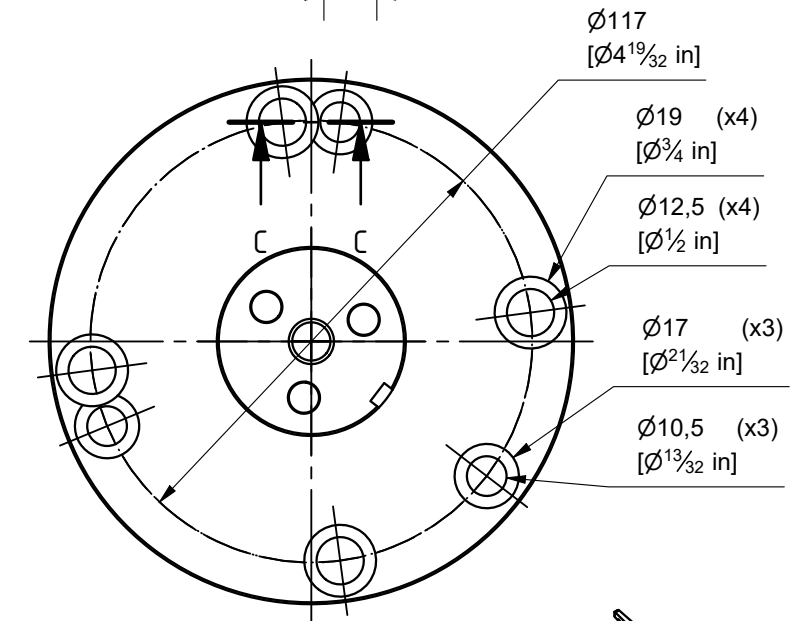
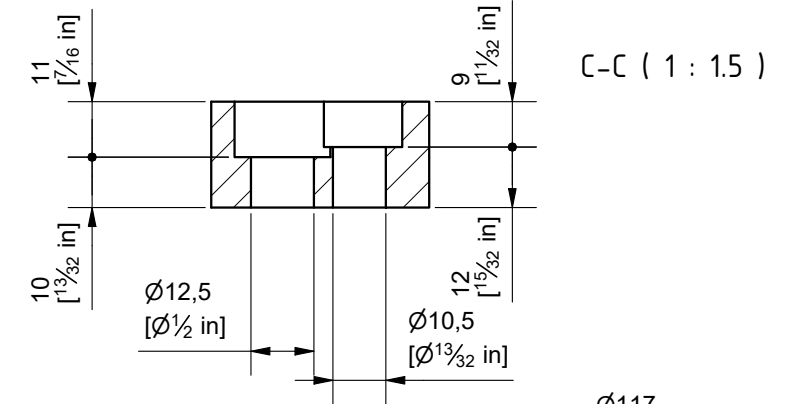
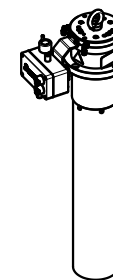
**D63 COLUMN LIFTER
&
FIXED COLUMN**



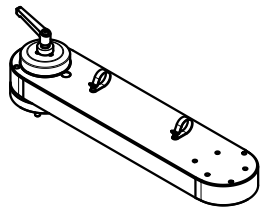
COSTUMER INTERFACES



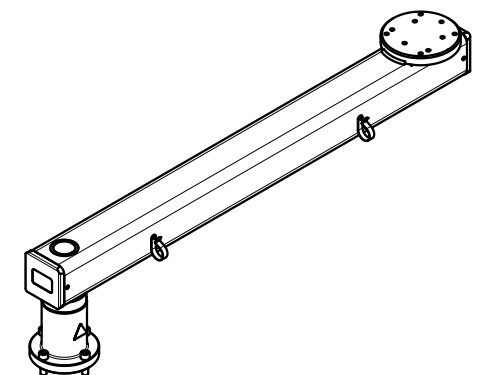
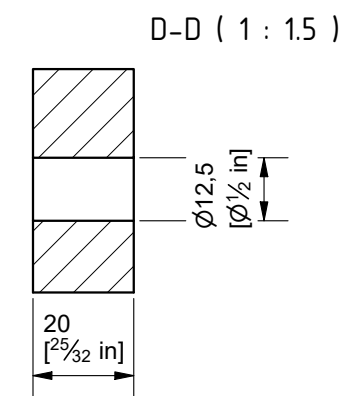
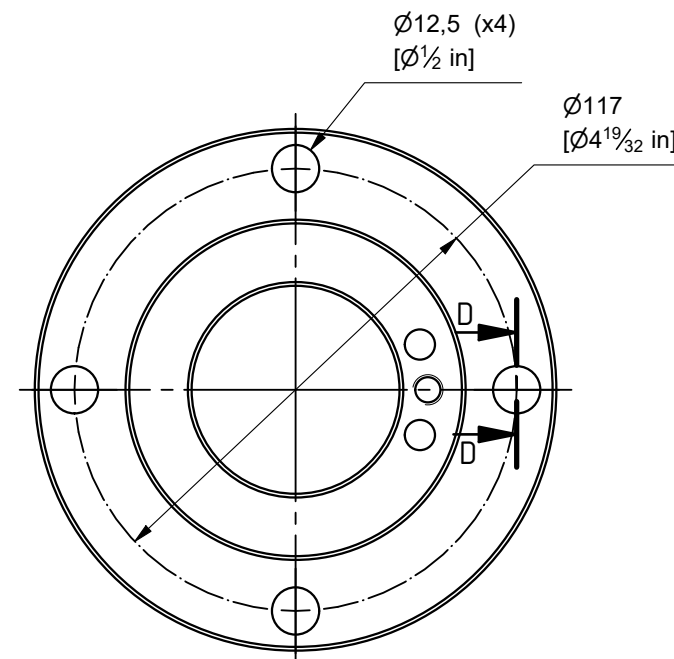
PNEUMATIC LIFTER



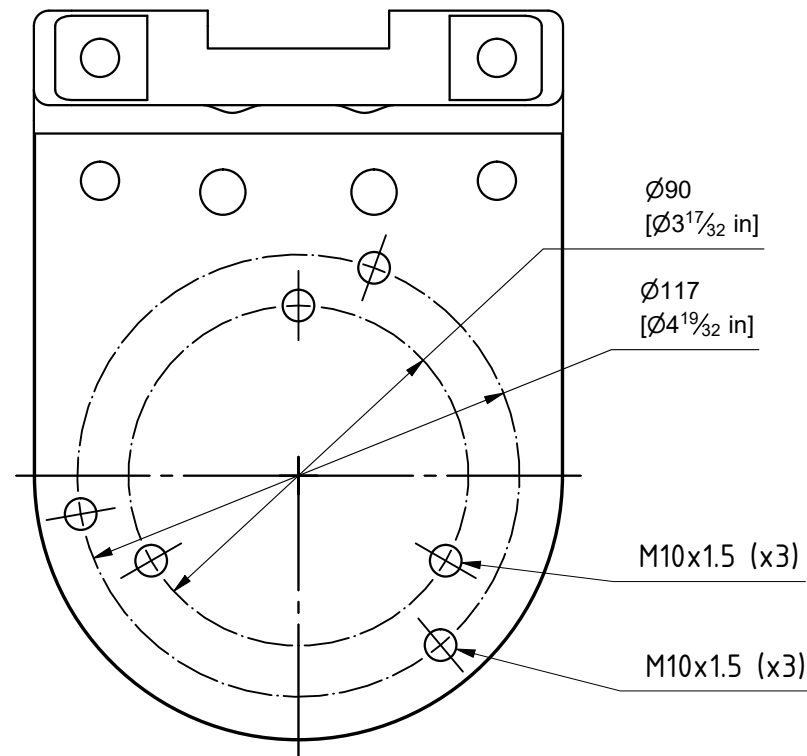
**RADIAL EXTENSION
300/500/1000**



**RADIAL EXTENSION
1000/1550**

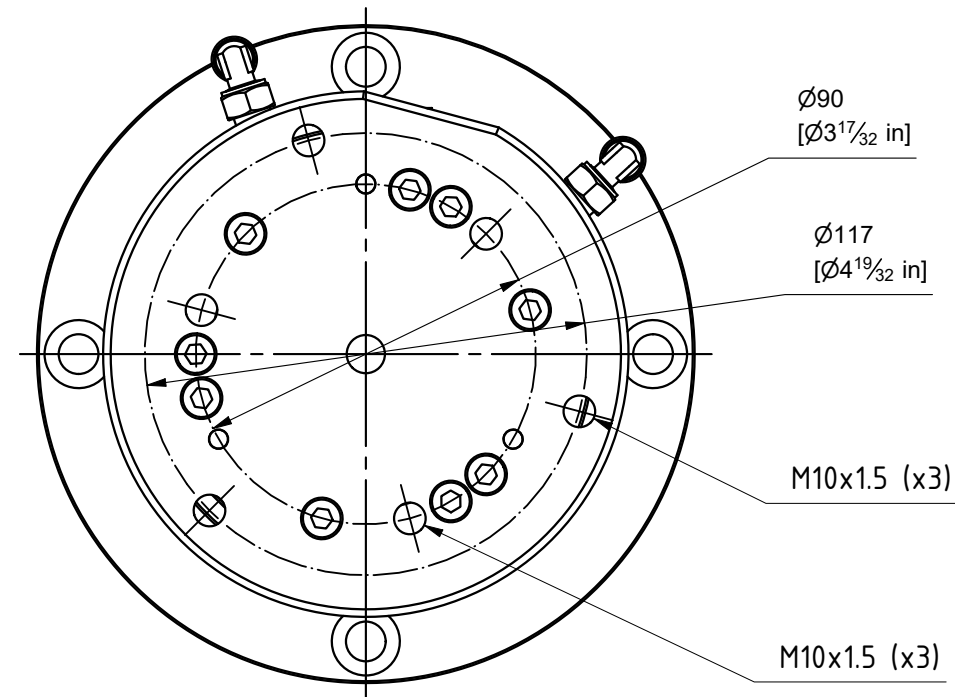


D63 COLUMN LIFTER

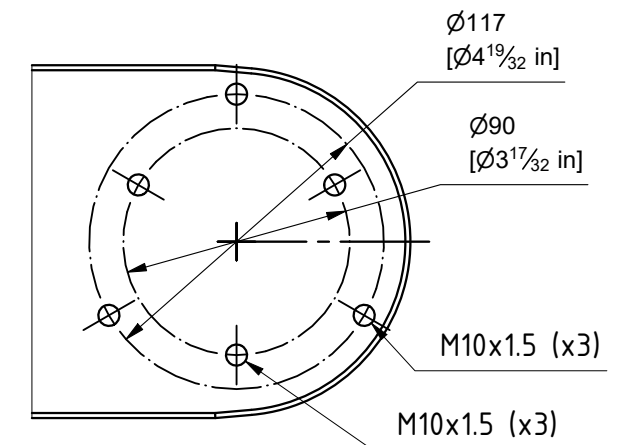


3ARM INTERFACES

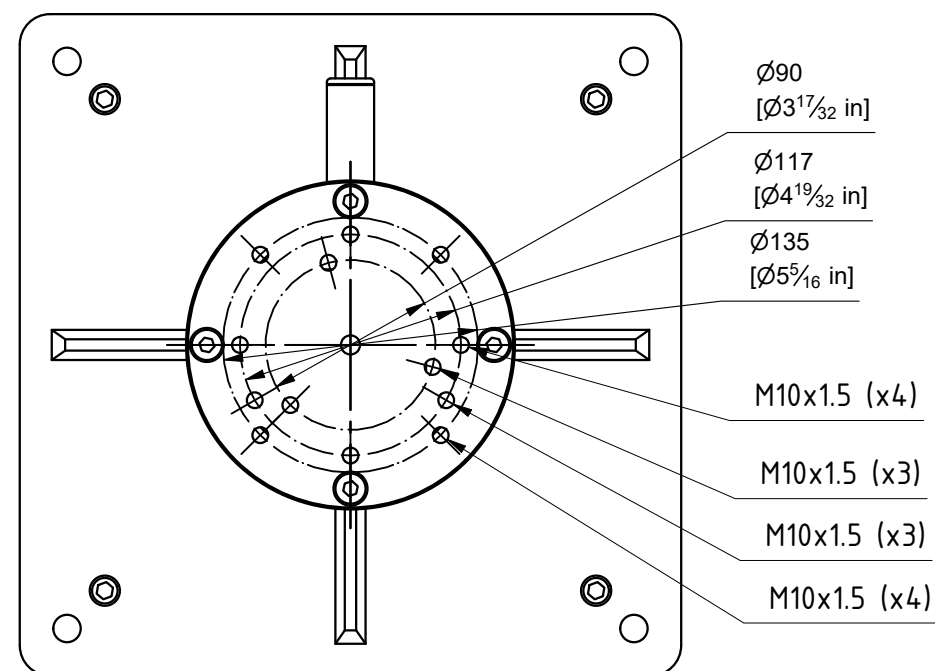
PNEUMATIC LIFTER



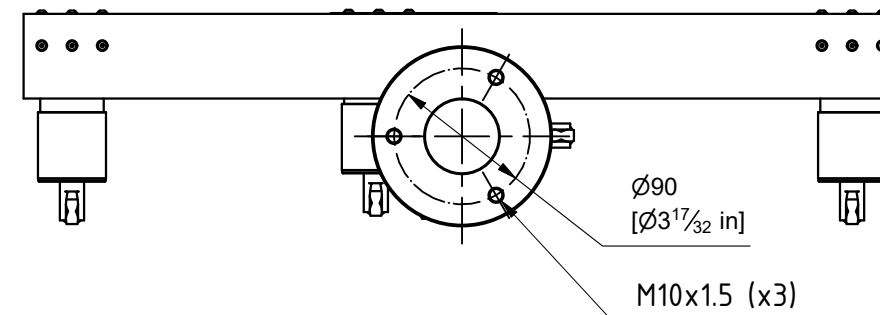
RADIAL EXTENSION 300/500/1000



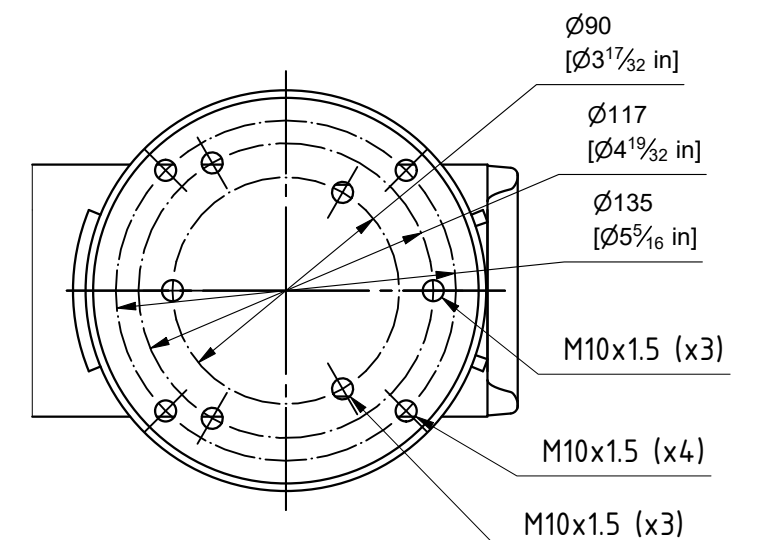
FIXED COLUMN



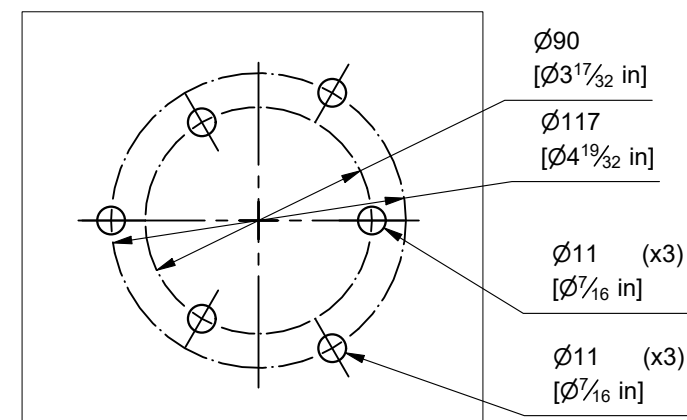
HANDRAIL BRACKET



RADIAL EXTENSION 1000/1550



TABLE



**For 3Arm use
M10 (x3) Ø90**