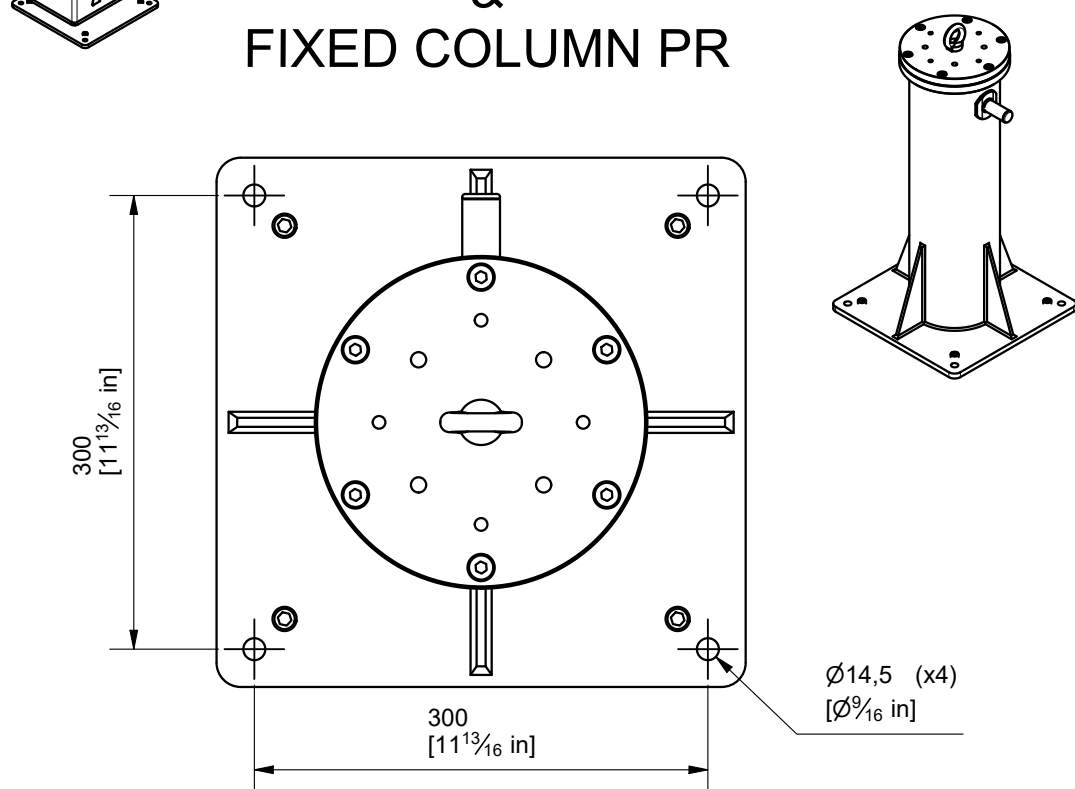
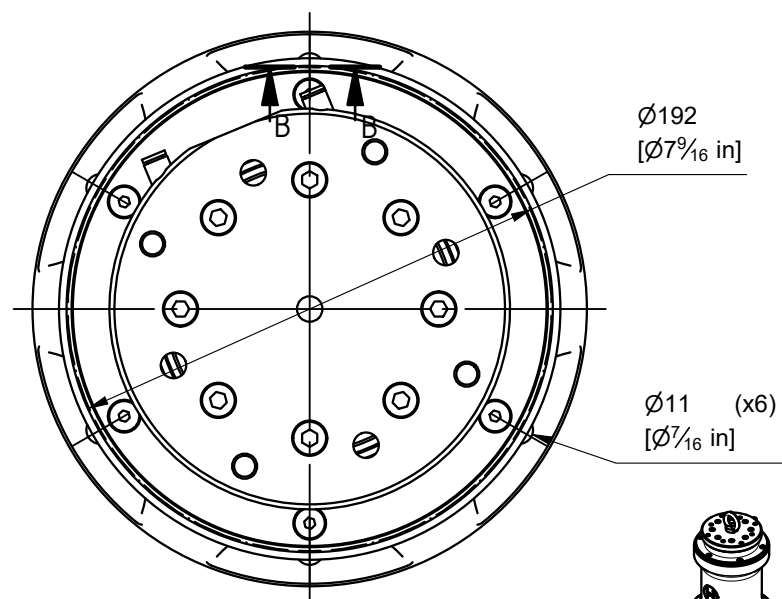
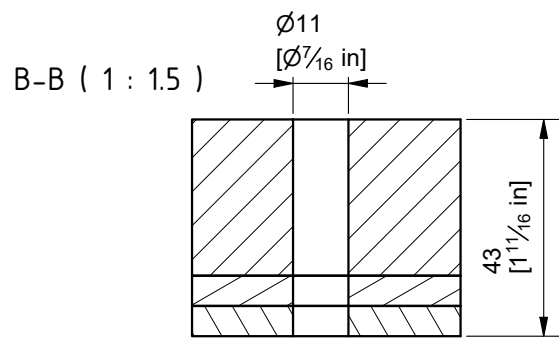


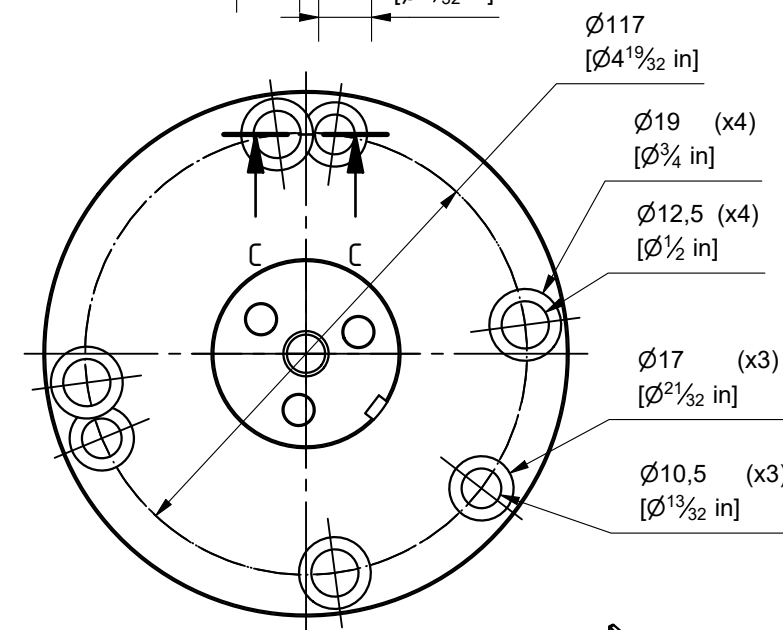
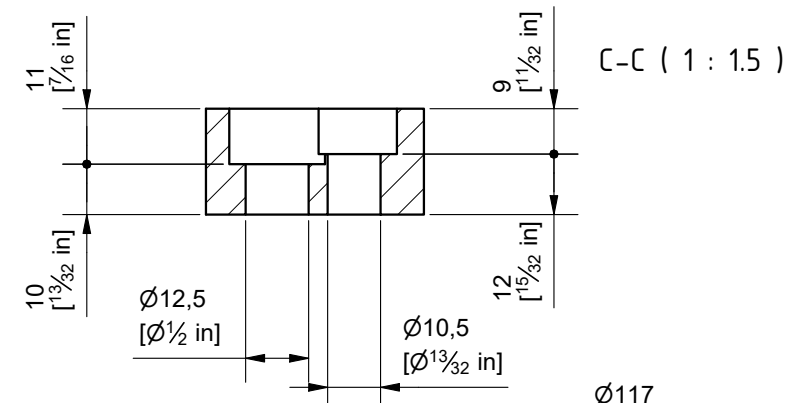
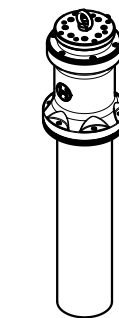
**D100 COLUMN LIFTER
&
FIXED COLUMN PR**



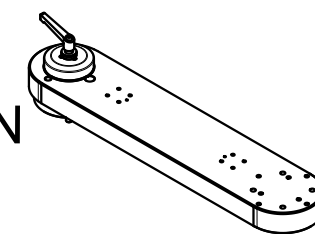
COSTUMER INTERFACES



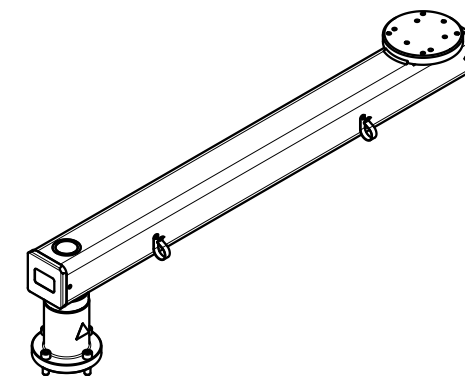
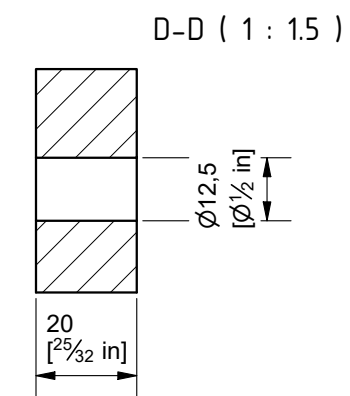
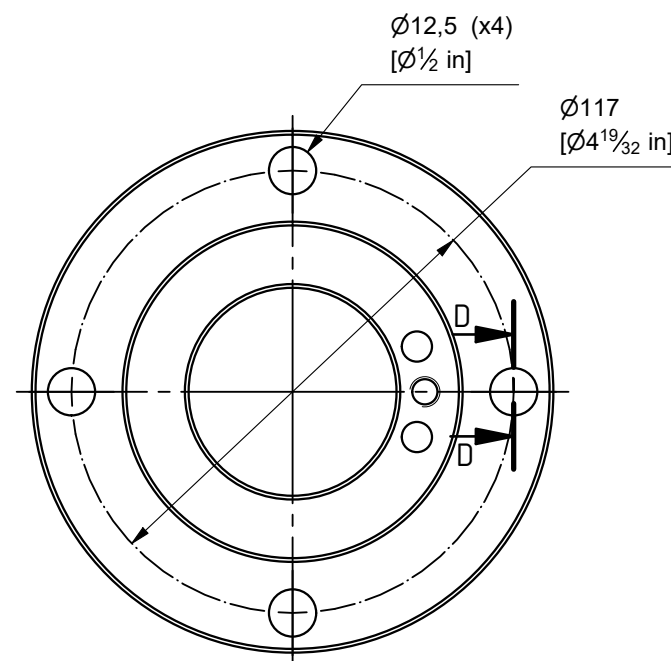
PNEUMATIC LIFTER PR



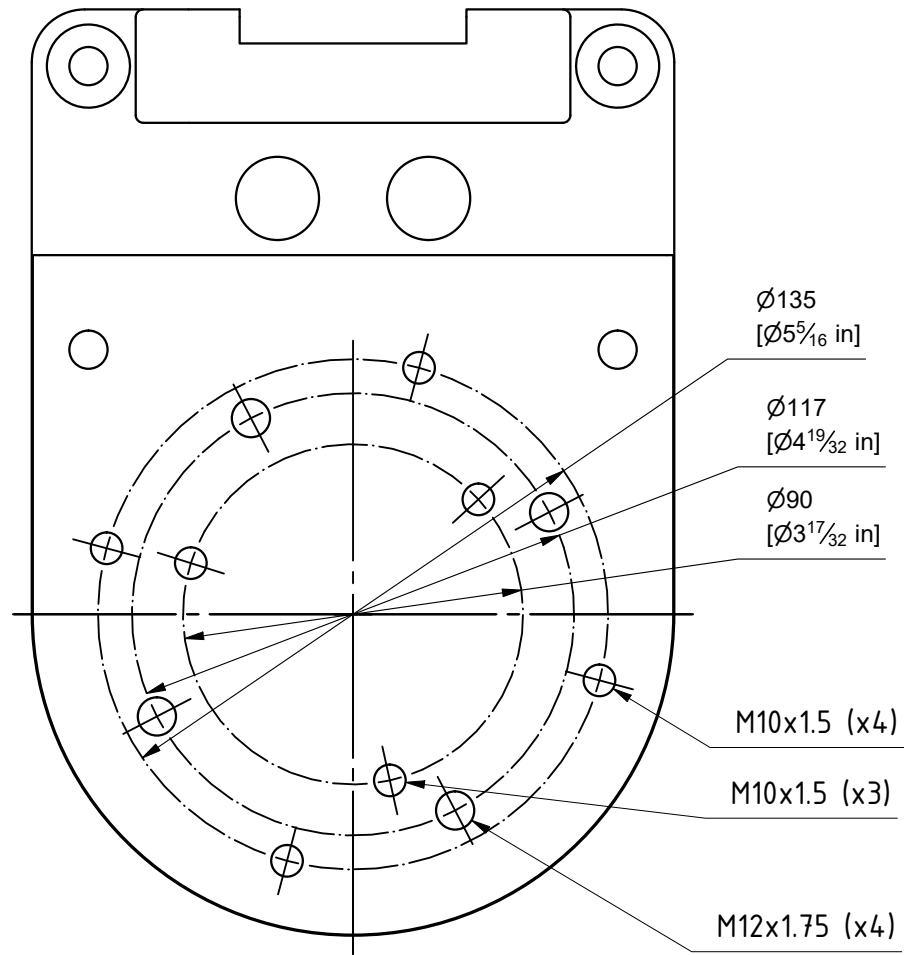
**RADIAL EXTENSION
300/500/1000**



**RADIAL EXTENSION
1000/1550**

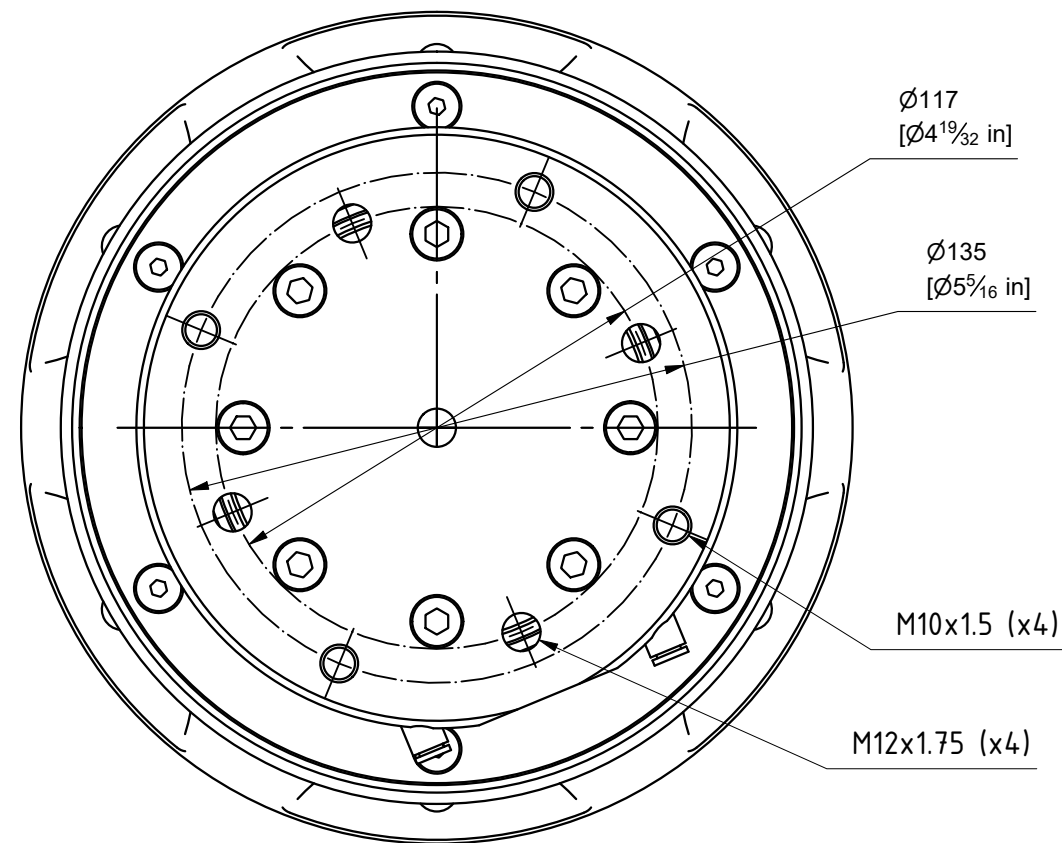


D100 COLUMN LIFTER

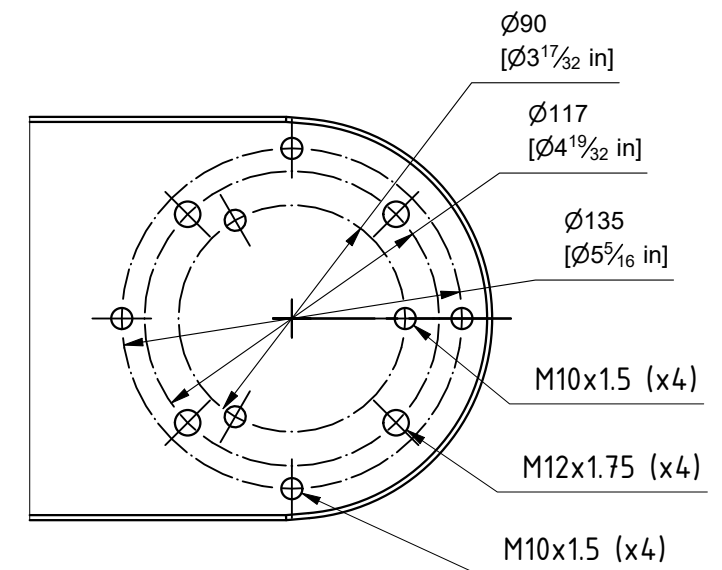


3ARM INTERFACES

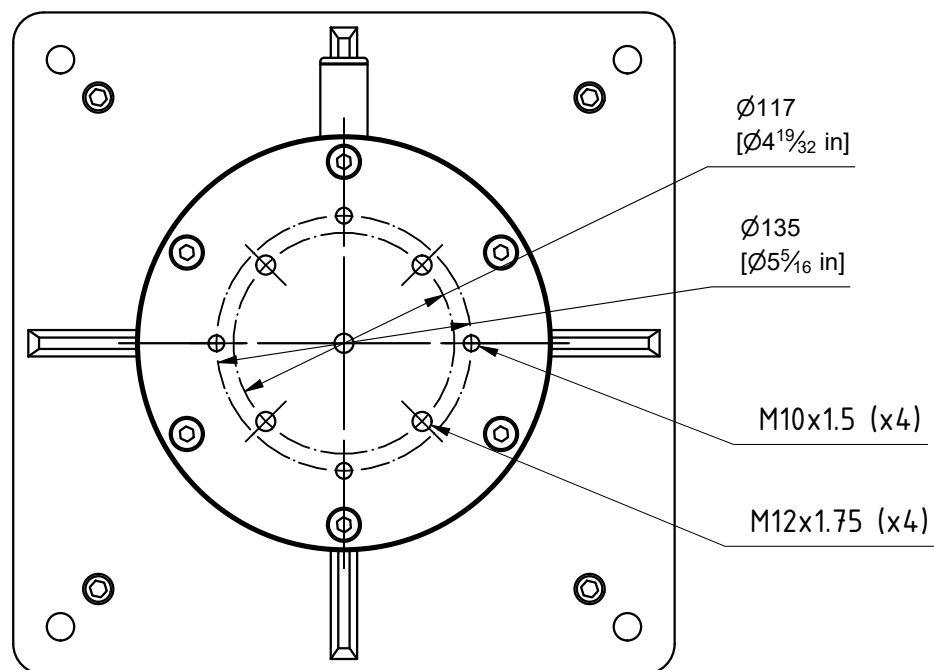
PNEUMATIC LIFTER PR



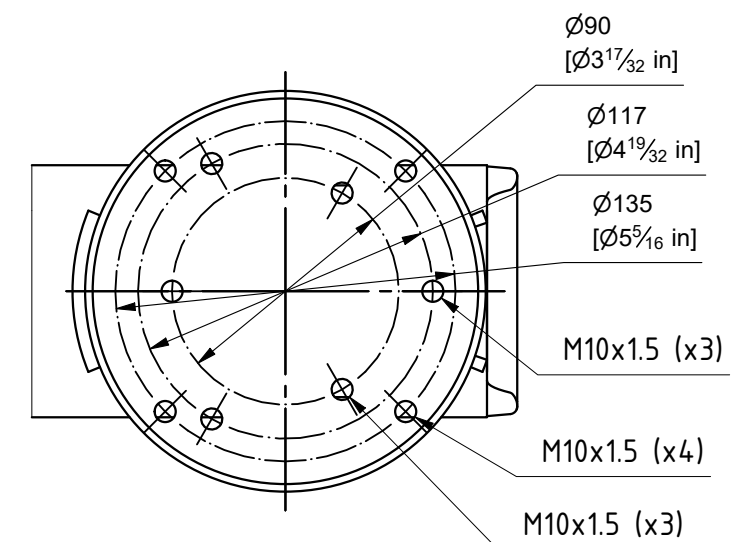
RADIAL EXTENSION 600



FIXED COLUMN PR



RADIAL EXTENSION 1000/1550



**For Manipulator M5
use M10 (x4) $\varnothing 135$**