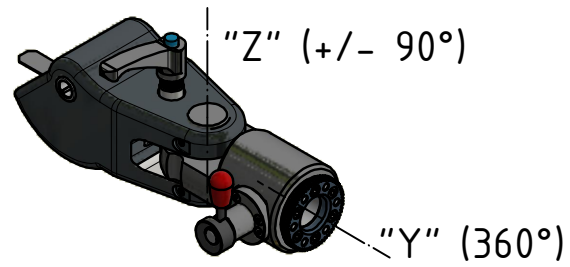
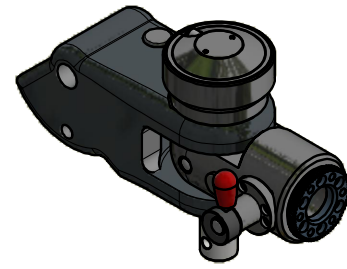


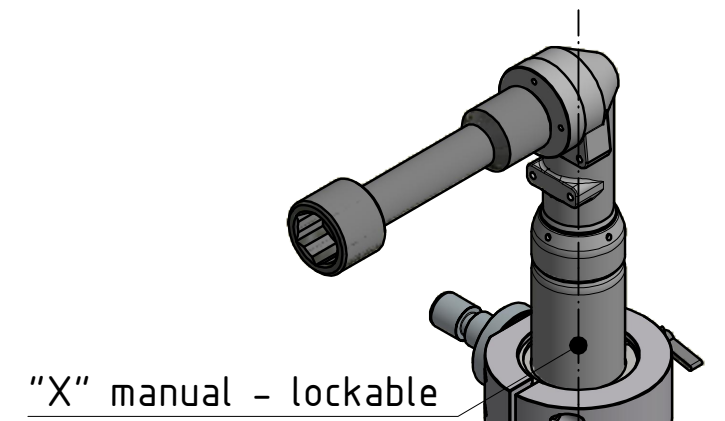
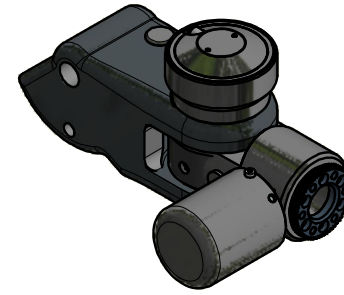
\* R \* RA \* RB \* manual - manual



\* RAS \* RBS \* auto - manual

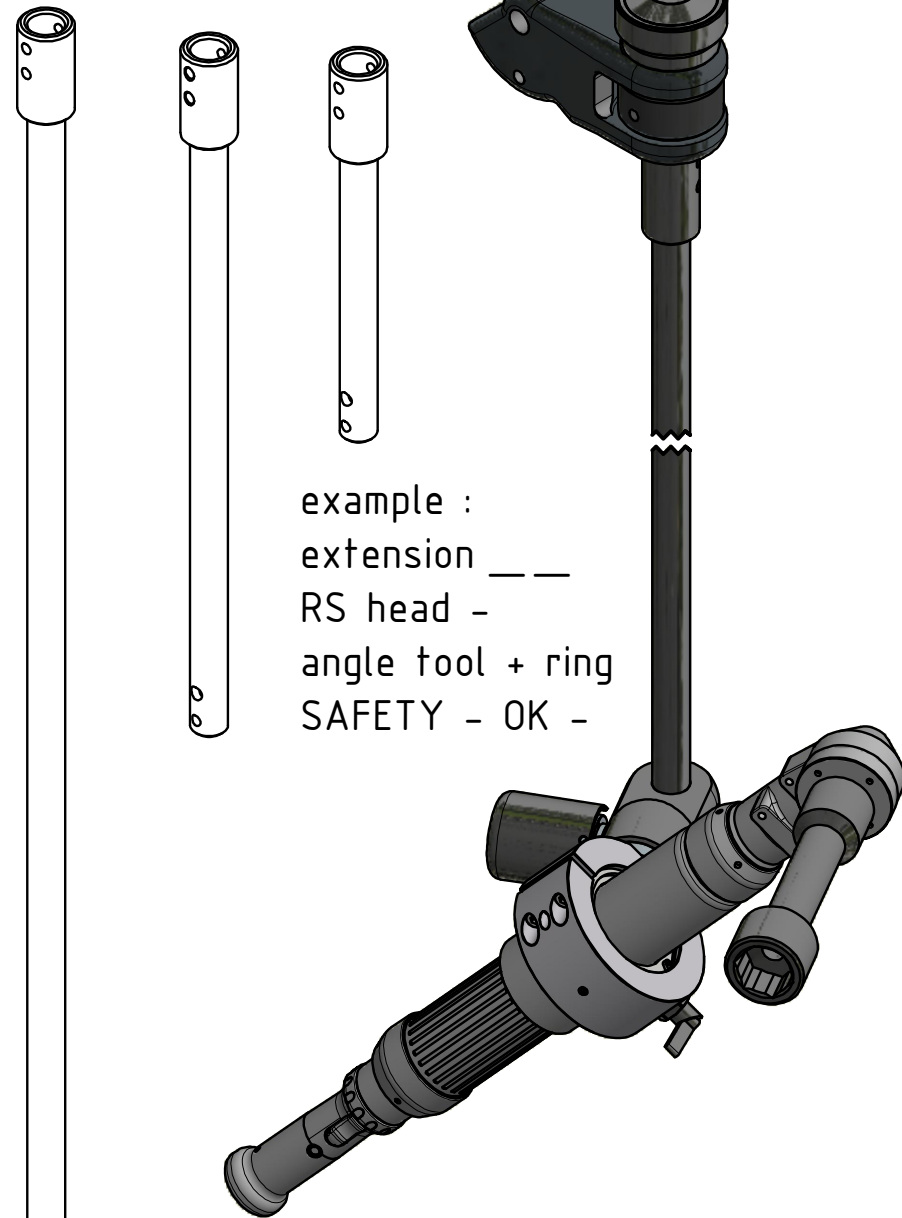


\* RS \* auto - auto



angle tool  
+ ring  
\* R \* RS \*

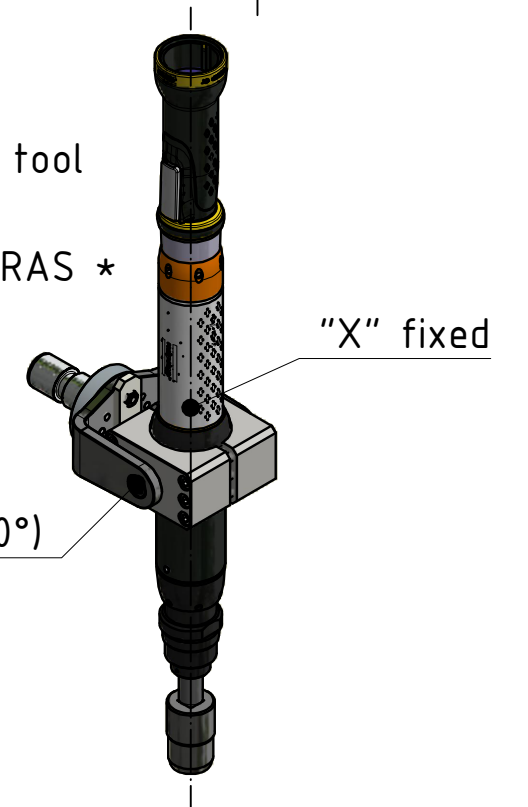
extension :  
1000 500 250  
applicable up or down



example :  
extension \_\_\_\_  
RS head -  
angle tool + ring  
SAFETY - OK -

TYPES OF TOOLS AND TIGHTENING	HEAD	"Z"	"Y"	"X"	SAFETY
Angular tool - All direction	* R *	manual	manual	manual	subject operator
Angular tool - All direction	* RS *	auto	auto	manual	-- OK --
Straight tool - All direction	* RA *	manual	manual	fixed	subject operator
Straight tool - All direction	* RAS *	auto	manual	fixed	-- OK --
Pistol - All direction	* RB *	manual	manual	fixed	subject operator
Pistol - All direction	* RBS *	auto	manual	fixed	-- OK --

straight tool  
+ fork  
\* RA \* RAS \*



applicable to : arms series 7

Torque Max. vertical ----- 600 Nm.  
Torque Max. horizontal ----- 500 Nm.

- Torque Max. all direction -  
R - RA - RB ----- 400 Nm.  
RS - RAS - RBS ----- 500 Nm.

## REVOLVER HEAD

data sheet 01 -- 01-03-23

pistol +  
ribbed support  
\* RB \* RBS \*

